

D

C

B

A

8

7

6

5

4

3

2

1

8

7

6

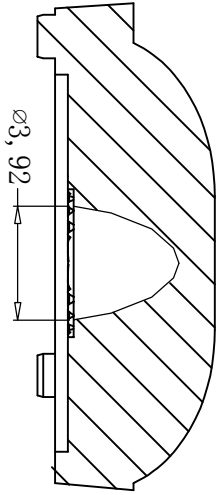
5

4

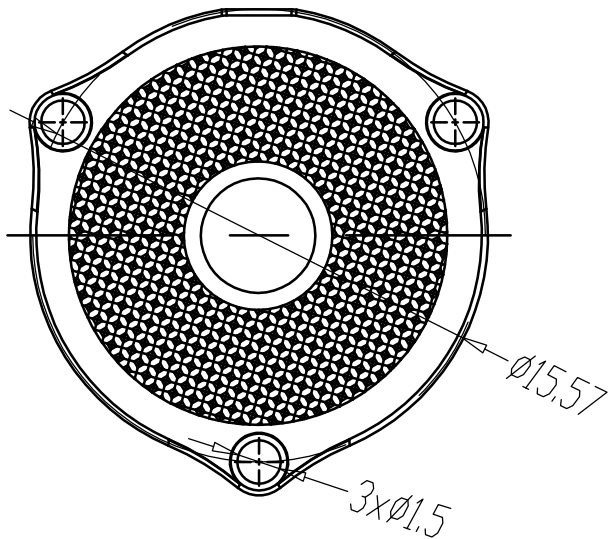
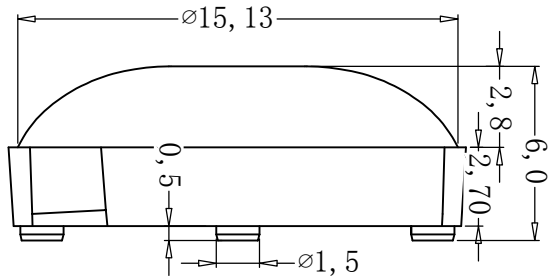
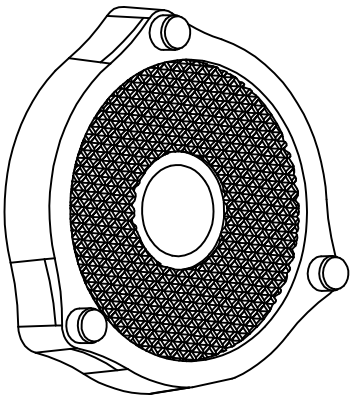
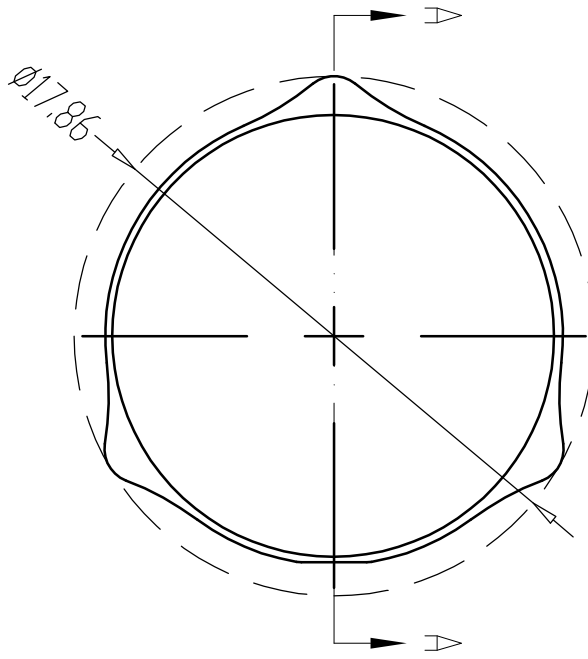
3

2

1



SECTION A-A



This drawing is our property.
It can't be reproduced
or communicated without
our written agreement

LED 爱日易迪光电科技有限公司
LED TECHNOLOGY DEVELOPMENT CO.LTD

TITLE: HL-3528-OD25-YH10-4-防水
REV 1.0

DRAWN BY	DJ	2016/05/05
CHECKED BY	JHY	2016/05/05
DESIGNED BY	YJH	2016/05/05

WEIGHT:	scale 1:1	SIZE	UNITS	MM
THIRD ANGLE PROJECTION		A4	SHEET 1 OF 1	

D

C

R

A